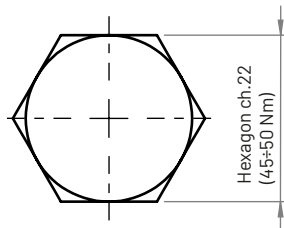
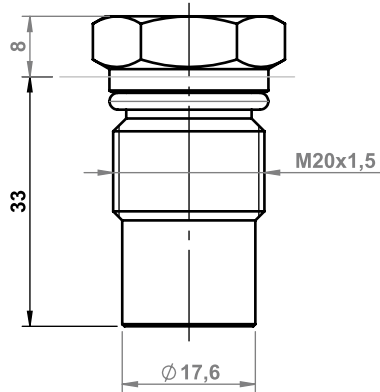
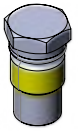


CAVITY PLUG
FVTA-**-000000

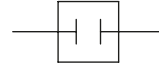
Type

Cavity plug for C20-C08 cavities

10.1



Hydraulic circuit



Technical characteristics

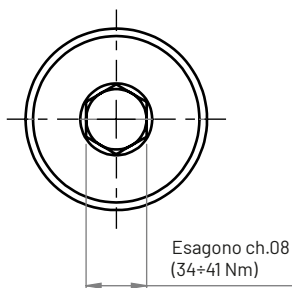
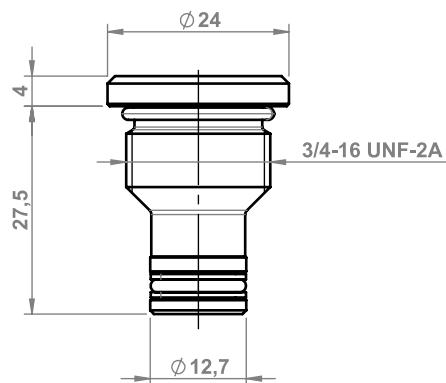
Max pressure	350 bar
Torque	45+50 Nm
Weight	0,1 kg
Material O-Ring	NBR 70
Cavity	C20 (see p. 20.2)

Ordering code

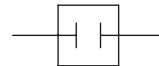
FVTA - 20 - 000000

Cavity plug: **FVTA**

Dimensions: **20** (C20 cavity)



Hydraulic circuit



Technical characteristics

Working pressure	350 bar
Torque	34+41 Nm
Weight	0,05 kg
Material O-Ring	NBR 70
Cavity	C08 (see p. 20.2)

Ordering code

FVTA - 08 - 000000

Cavity plug: **FVTA**

Dimensions: **08** (cavità C08)