

Cavity plug for C26-C10 cavities

Model

CAVITY PLUG

Type

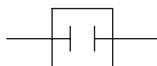
FVTA--000000**

**CAVITY
PLUG**

10.2

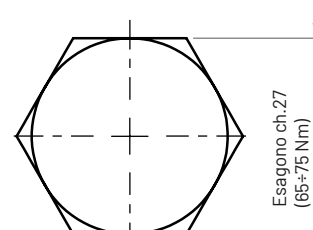
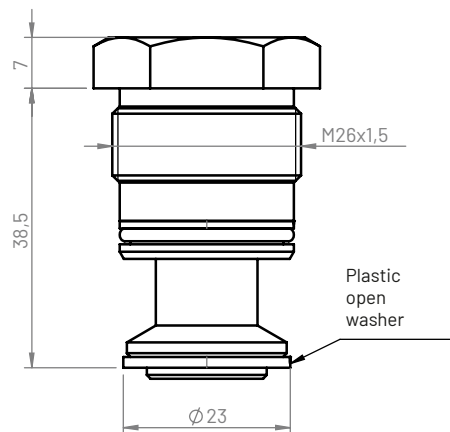


Hydraulic circuit



Technical characteristics

Max pressure	350 bar
Torque	65÷75 Nm
Weight	0,1 kg
Material O-Ring	NBR 70
Cavity	C26 (see p. 20.3)

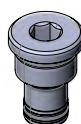


Esempio di ordinazione

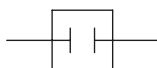
FVTA - 26 - 000000

Cavity plug: **FVTA**

Dimensions: **26** (cavity C26)

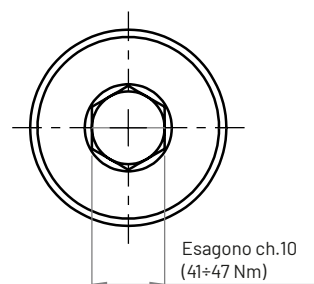
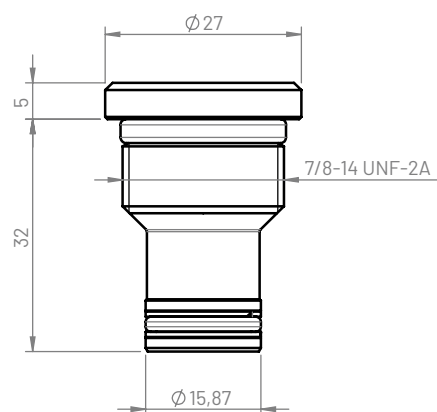


Hydraulic circuit



Technical characteristics

Working pressure	350 bar
Torque	41÷47 Nm
Weight	0,08 kg
Material O-Ring	NBR 70
Cavity	C10 (vedi pag. 20.3)



Esempio di ordinazione

FVTA - 10 - 000000

Cavity plug: **FVTA**

Dimensions: **10** (cavity C10)