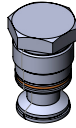
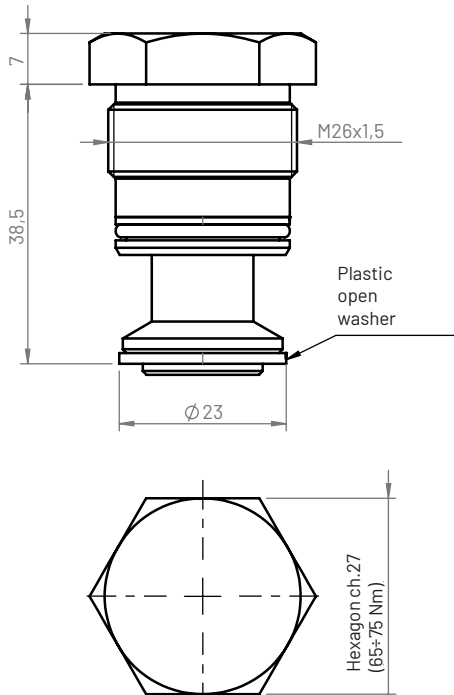


**CAVITY PLUG**  
FVTA-\*\*-000000

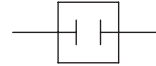
Type

Cavity plug for C26-C10 cavities

10.2



Hydraulic circuit



Technical characteristics

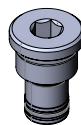
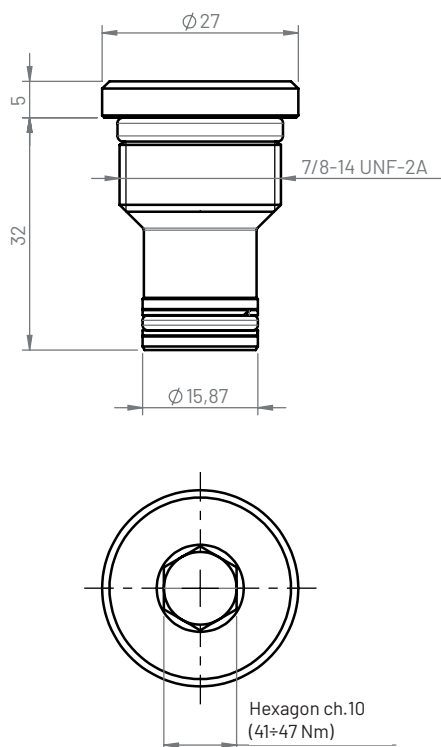
Max pressure	350 bar
Torque	65±75 Nm
Weight	0,1 kg
Material O-Ring	NBR 70
Cavity	C26 (see p. 20.3)

Ordering code

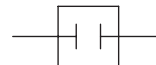
**FVTA - 26 - 000000**

Cavity plug: **FVTA**

Dimensions: **26** (C26 cavity)



Hydraulic circuit



Technical characteristics

Max pressure	350 bar
Torque	41±47 Nm
Weight	0,08 kg
Material O-Ring	NBR 70
Cavity	C10 (see p. 20.3)

Ordering code

**FVTA - 10 - 000000**

Cavity plug: **FVTA**

Dimensions: **10** (C10 cavity)

