

CETOP5 - NG10

CETOP5 Single subplate with G1" P-T-A-B ports on long side, with/without relief valve (FVLP-33)

Type
Model

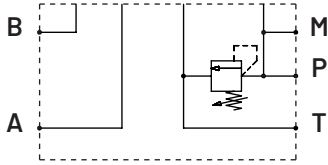
575

CBS575*-8D-**C

SINGLE
SUBPLATE

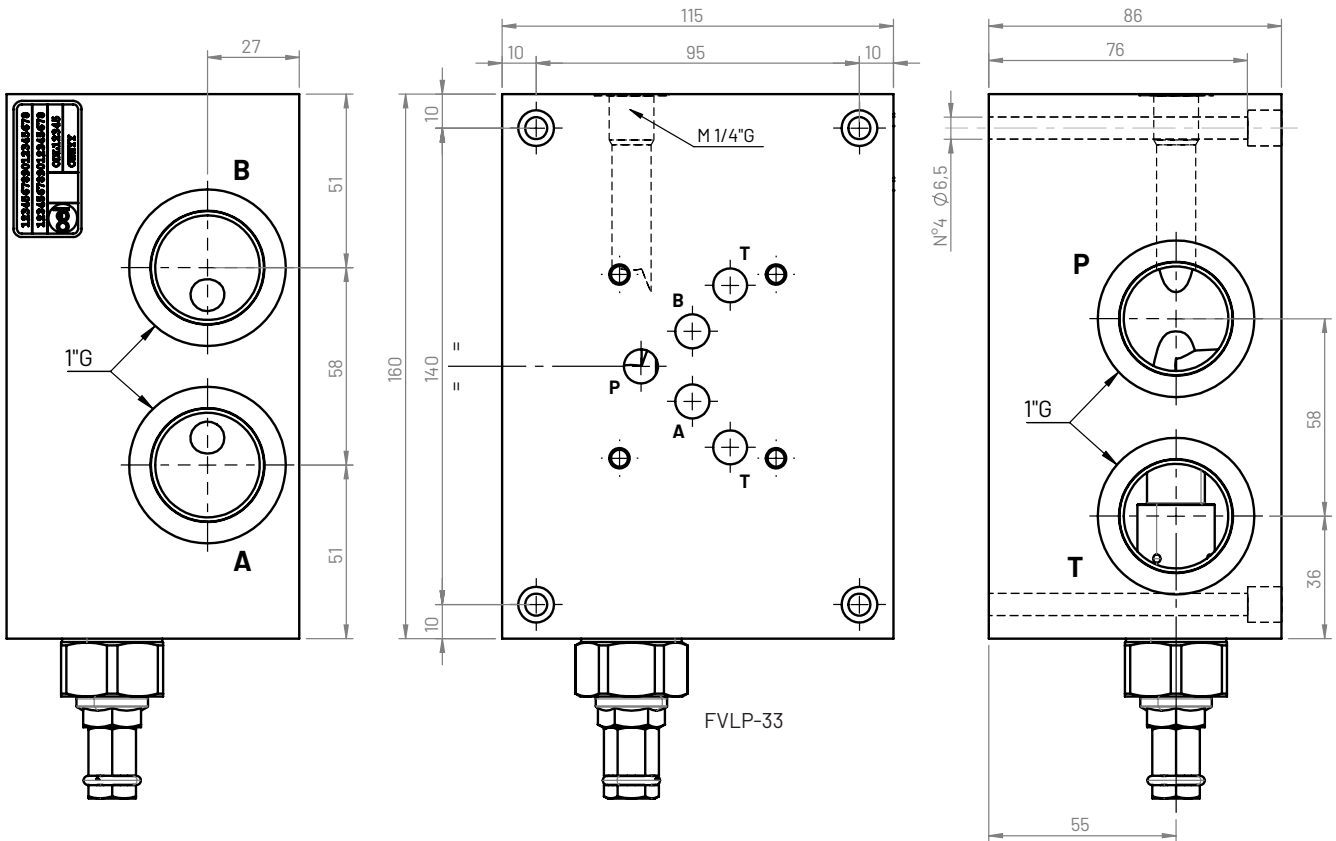
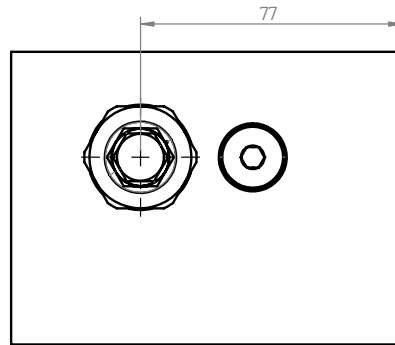
4.10

Hydraulic circuit



Weight

Aluminum (kg)	Cast iron (kg)
4,2	10,2



Ordering code

CBS 5 75 * - 8 D - * * C

Single subplate: **CBS**

Flange CETOP: **5**

Configuration type: **75**

Material:

G (Phosphated cast iron GJL250)

A (aluminum EN AW-6026 LF without anodization)

B (aluminum EN AW-6026 LF with neutral anodization)

Other materials on demand

Ports size:

8 (P-T-A-B: 1G)

Adjustment:
C (with screw)

Spring set:

H: 20-105 bar

O: 35-210 bar

R: 70-420 bar

Cavity FVLP-33:

V (included)

L (with cavity open)

T (with cavity plugged)

Ports position:

D (long lateral side)