

CETOP5 End and crossing plate
P-T-A-B combinations

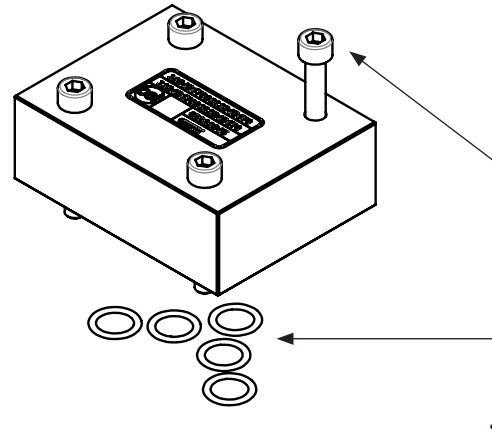
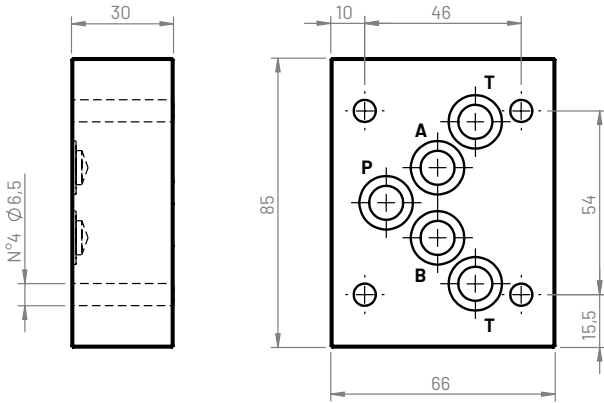
CETOP5 - NG10

Type
Model

507
CBS507*-*

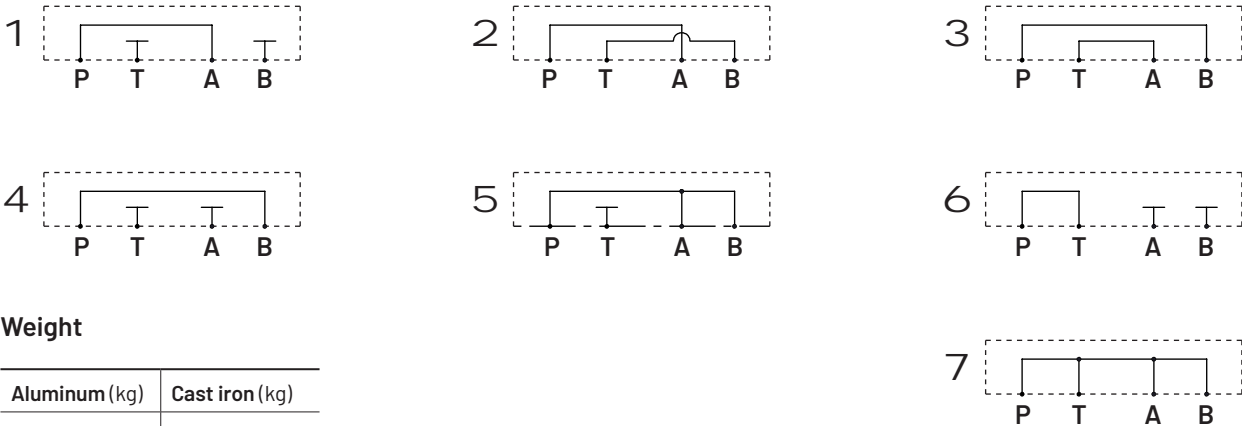
**SINGLE
SUBPLATE**

4.15



End and crossing plate includes:
- no. 4 screws M6x40 UNI5931
- no. 5 O-rings 2050 (12,42x1,78) NBR90

Hydraulic circuits



Weight

Aluminum (kg)	Cast iron (kg)
0,24	0,66

Ordering code

CBS 5 07 * - *

Single subplate: **CBS**

Flange CETOP: **5**

Configuration type: **07**

Material:

G (Phosphated cast iron GJL250)

A (aluminum EN AW-6026 LF without anodization)

B (aluminum EN AW-6026 LF with neutral anodization)

Other materials on demand

Connections:

1 (P to A, T-B closed)

2 (P to A, T to B)

3 (P to B, T to A)

4 (P to B, T-A closed)

5 (P to A-B, T closed)

6 (P to T, A-B closed)

7 (P to T-A-B)