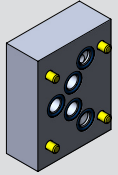


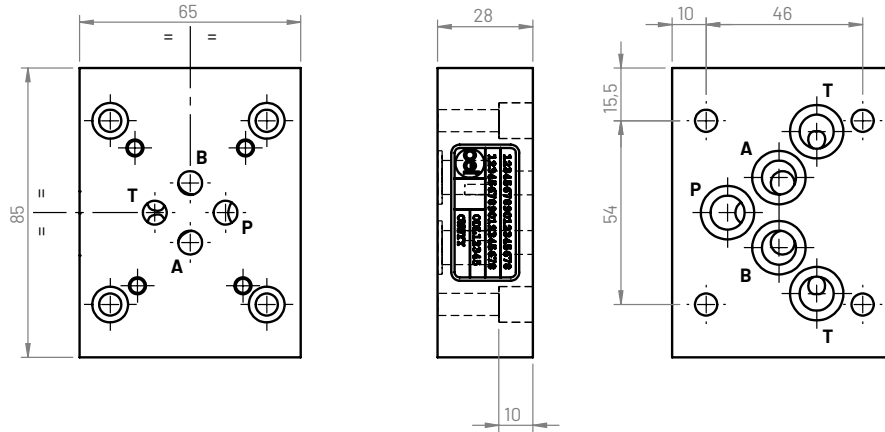
Type
Model

580
CBS580*

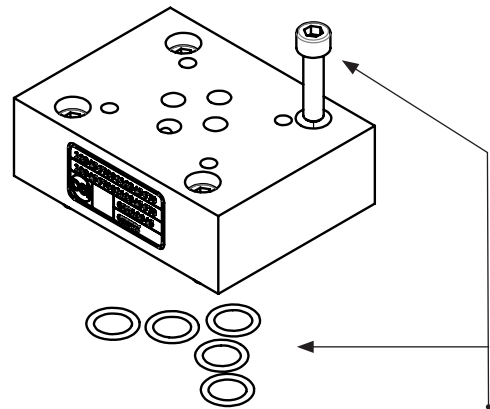
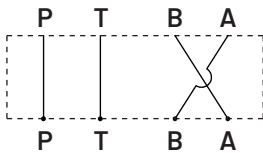
CETOP5/CETOP3 Reduction plate



4.20



Hydraulic circuit



Weight

Aluminum (kg)	Cast iron (kg)
0,5	1,3

Reduction plate includes:

- no. 4 screws M6x25 UNI5931
- no. 5 O-rings 2050 (12,42x1,78) NBR90

Ordering code

CBS 5 80 *

Single subplate: **CBS**

Flange CETOP: **5**

Configuration type: **80**

Material:

G (Phosphated cast iron GJL250)

A (aluminum EN AW-6026 LF without anodization)

B (aluminum EN AW-6026 LF with neutral anodization)

Other materials on demand

