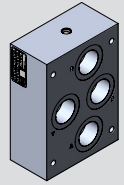


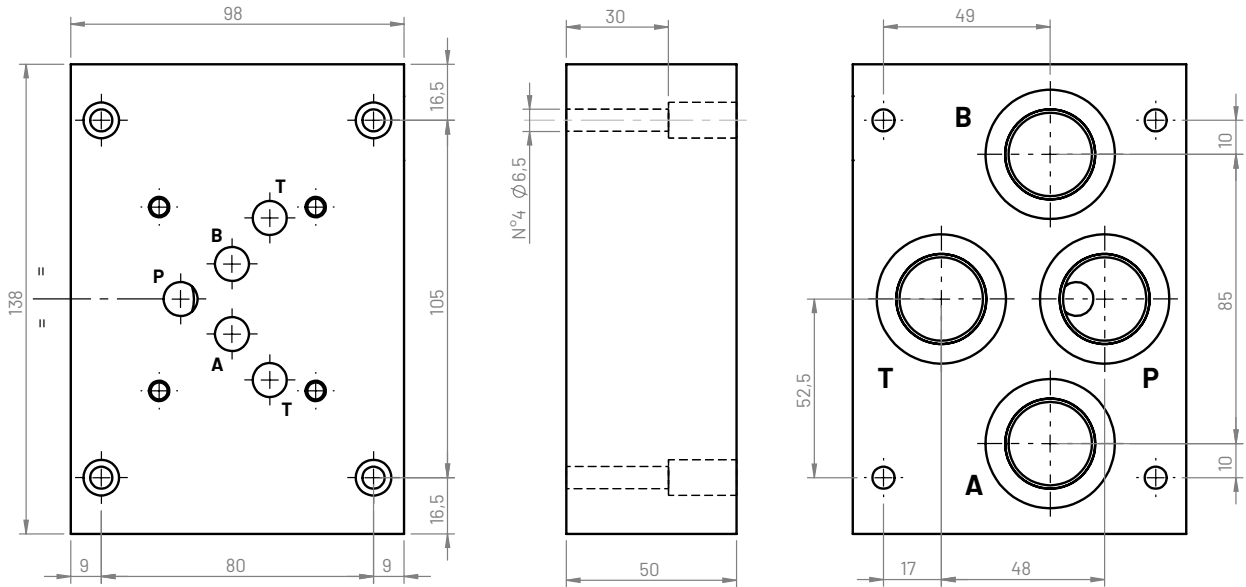
Type  
Model

501  
CBS501\*-6B

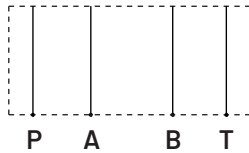
CETOP5 Single subplate with G3/4"  
P-T-A-B ports on back side



4.5



Hydraulic circuit



Weight

Aluminum (kg)	Cast iron (kg)
1,7	4,3

Ordering code

**CBS 5 01 \* - 6 B**

- Single subplate: **CBS**
- Flange CETOP: **5**
- Configuration type: **01**
- Material:
  - G** (Phosphated cast iron GJL250)
  - A** (aluminum EN AW-6026 LF without anodization)
  - B** (aluminum EN AW-6026 LF with neutral anodization)
  - Other materials on demand
- Ports size:
  - 6** (P-T-A-B: 3/4G)
- Ports position: **B** (back side)