

# CETOP5 - NG10

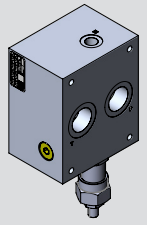
## 505

Type

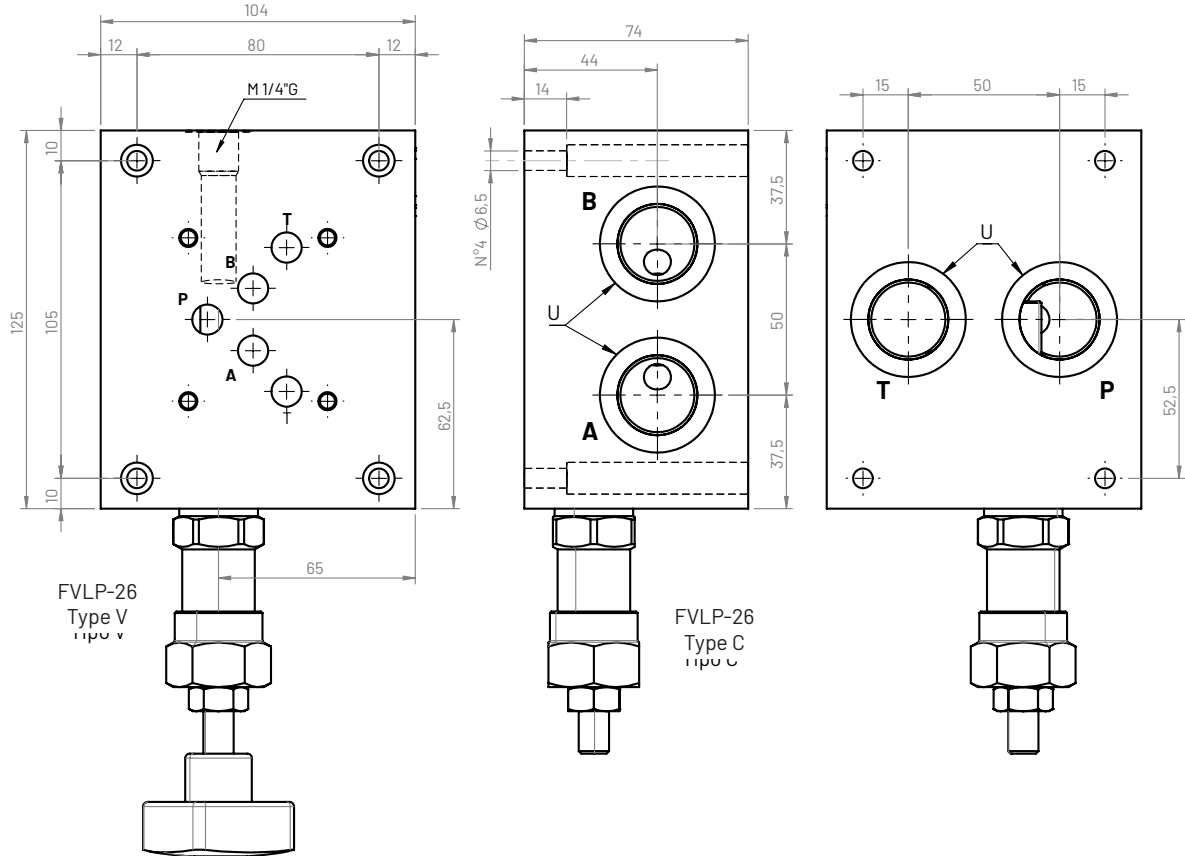
Model

CBS505\*-\*A-\*\*\*

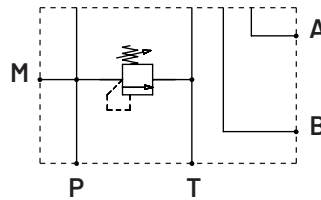
CETOP5 Single subplate with G1/2" or G3/4" P-T ports on back side and A-B ports on long side, with/without relief valve (FVLP-26)



### 4.7



#### Hydraulic circuit



#### Weight

Aluminum (kg)	Cast iron (kg)
2,6	6,3

#### Ordering code

**CBS** **5** **05** \* - \* **A** - \* \* \*

Single subplate: **CBS**

Flange CETOP: **5**

Configuration type: **05**

Material:

**G** (Phosphated cast iron GJL250)

**A** (aluminum EN AW-6026 LF without anodization)

**B** (aluminum EN AW-6026 LF with neutral anodization)

**Other materials on demand**

Ports size:

**4** (P-T-A-B: 1/2G)

**6** (P-T-A-B: 3/4G)

Ports position: **A** (back and lateral side)

Adjustment:

**C** (with screw)

**V** (with hand knob)

Spring set:

**W**: 5-50 bar

**X**: 30-100 bar

**J**: 80-250 bar

**K**: 140-350 bar

Cavity FVLP-26:

**V** (included)

**L** (with cavity open)

**T** (with cavity plugged)