

CETOP5 - NG10

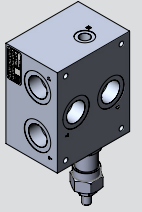
505

Type

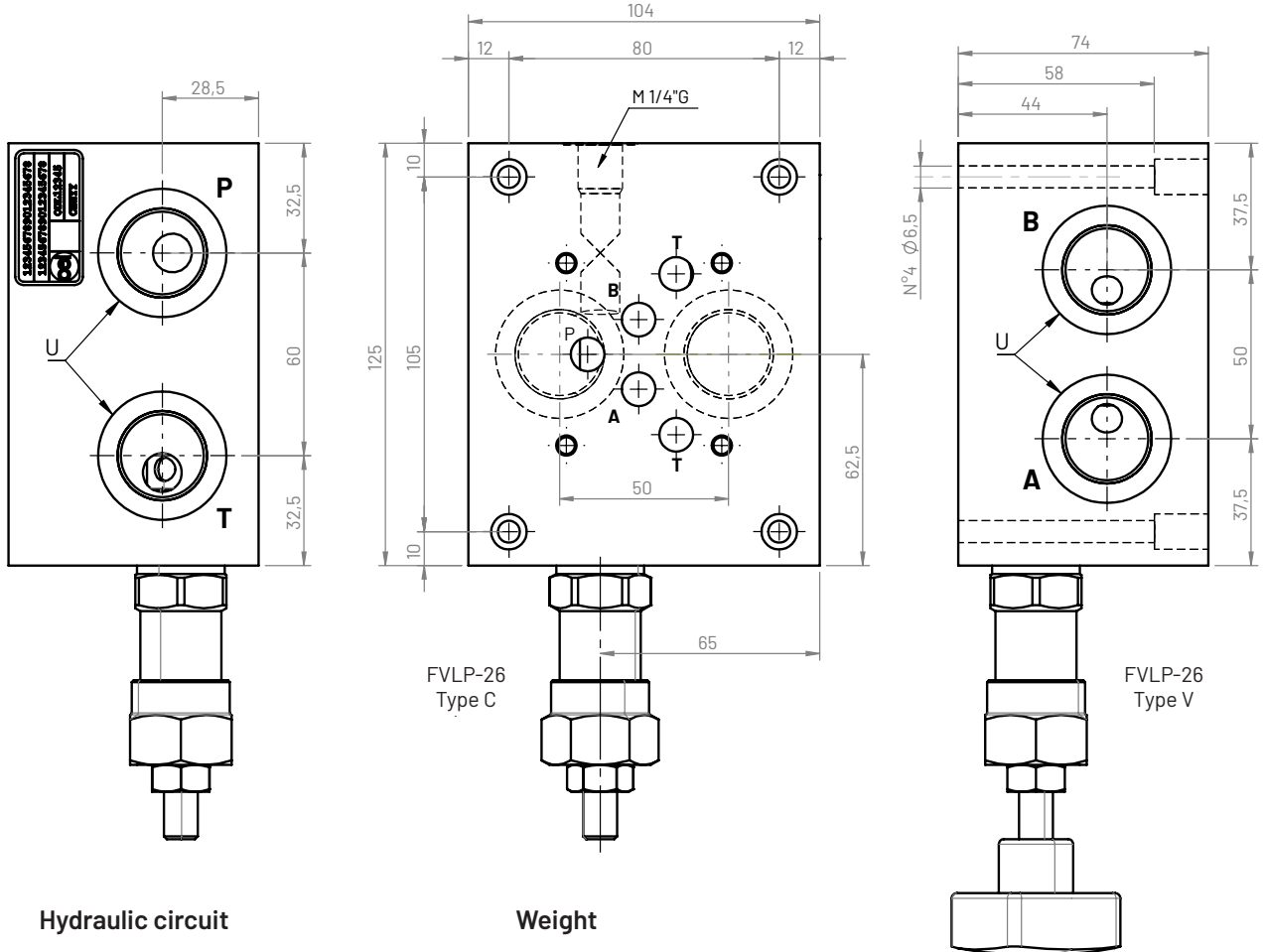
Model

CBS505*-*E-***

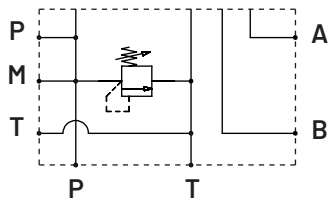
CETOP5 Single subplate with G1/2" or G3/4" P-T ports on back side and P-T-A-B ports on long side, with/without relief valve (FVLP-26)



4.9



Hydraulic circuit



Weight

Aluminum (kg)	Cast iron (kg)
2,5	6

Ordering code

CBS 5 05 * - * E - * * *

Single subplate: **CBS**

Flange CETOP: **5**

Configuration type: **05**

Material:

G (Phosphated cast iron GJL250)

A (aluminum EN AW-6026 LF without anodization)

B (aluminum EN AW-6026 LF with neutral anodization)

Other materials on demand

Ports size:

4 (P-T-A-B: 1/2G)

6 (P-T-A-B: 3/4G)

Ports position: **E** (back/long lateral side)

Adjustment:

C (with screw)

V (with hand knob)

Spring set:

W: 5-50 bar

X: 30-100 bar

J: 80-250 bar

K: 140-350 bar

Cavity FVLP-26:

V (included)

L (with cavity open)

T (with cavity plugged)