

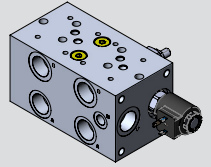
CETOP5 - NG10

525

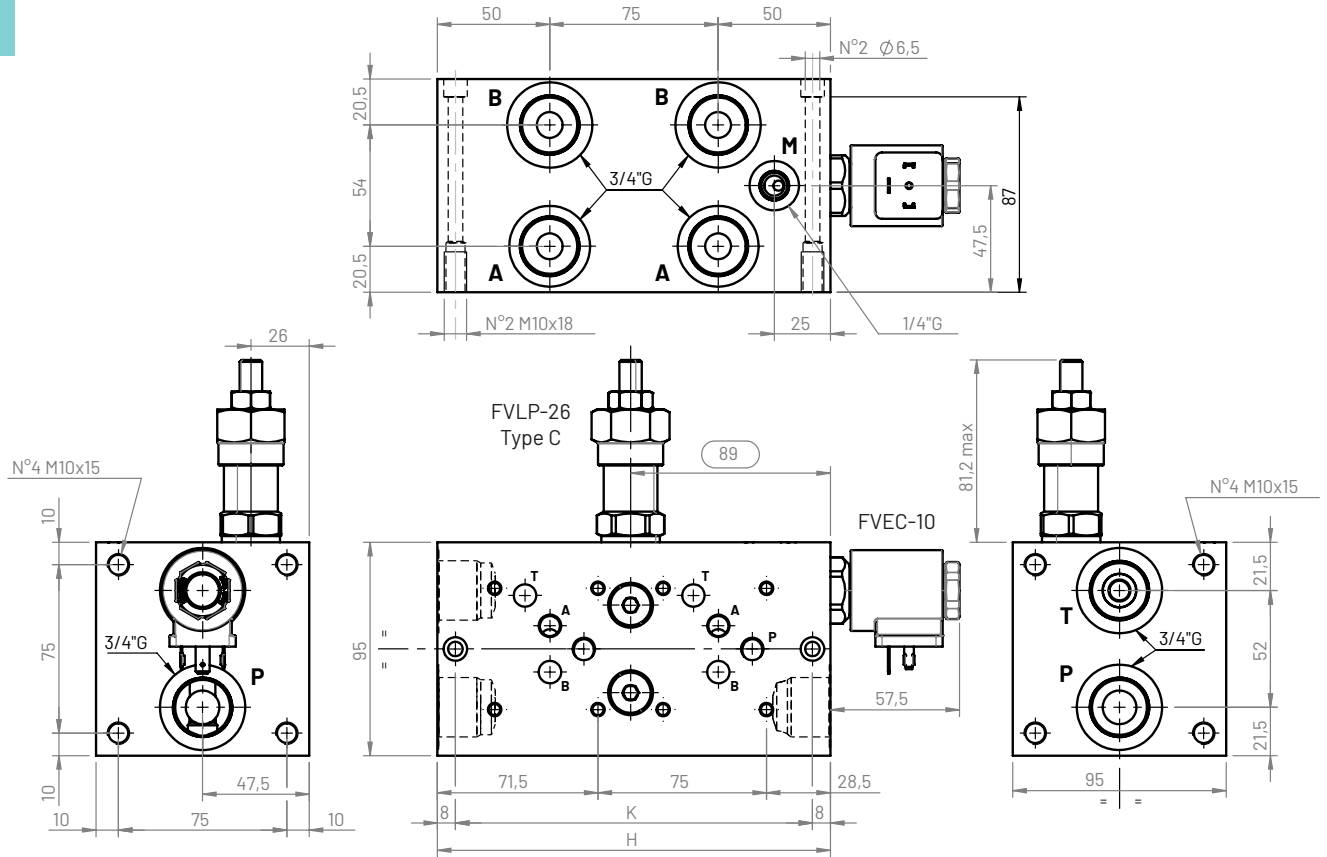
Type
Model

CMB525*-P*-6C-**C-***

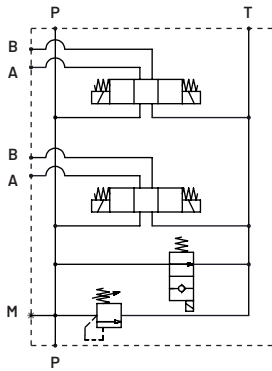
CETOP5 Monoblock with 3/4"G P ports on both short sides, T port on short side and A-B ports on long side, with relief valve (FVLP-26) and solenoid valve (FVEC-10) on T port side



5.13



Hydraulic circuit



Positions	H (mm)	K (mm)	Aluminum (kg)	Cast iron (kg)
2	175	159	4,2	10,2
3	250	234	5,9	14,6
4	325	309	7,6	19
5	400	384	9,3	23,4
6	475	459	11	27,8

FVEC-10 present:
V (included) info tecniche → p.8.2
L (with cavity open)
T (with cavity plugged)

FVEC-10 type (omit with L-T present):
A (normally open)
C (normally closed)

Coil type (omit with L-T present):
A (no coil)
B (with coil 12Vdc)
C (with coil 24Vdc)

Adjustment (omit with L-T present):
C (with screw)

Spring set (omit with L-T present):
W: 5-50 bar **X**: 30-100 bar
J: 80-250 bar **K**: 140-350 bar

Cavity FVLP-26:
V (included) technical info → p. 7.2
L (with cavity open)
T (with cavity plugged)

Ports position: **C** (lateral side)

Ports size:
6 (P-T 3/4"G - A-B 3/4"G)

Ordering code **CMB 5 25 * - P * - 6 C - * * C - * * ***

- Monoblock: **CMB**
- Flange CETOP: **5**
- Configuration type: **25**
- Material:
G (Phosphated cast iron GJL250)
A (aluminum EN AW-6026 LF without anodization)
B (aluminum EN AW-6026 LF with neutral anodization)
Other materials on demand
- Connection: **P** (parallel)
- Positions: **2, 3, ..., 6**

- FVEC-10 type (omit with L-T present):
A (normally open)
C (normally closed)
- Coil type (omit with L-T present):
A (no coil)
B (with coil 12Vdc)
C (with coil 24Vdc)
- Adjustment (omit with L-T present):
C (with screw)
- Spring set (omit with L-T present):
W: 5-50 bar **X**: 30-100 bar
J: 80-250 bar **K**: 140-350 bar
- Cavity FVLP-26:
V (included) technical info → p. 7.2
L (with cavity open)
T (with cavity plugged)
- Ports position: **C** (lateral side)
- Ports size:
6 (P-T 3/4"G - A-B 3/4"G)