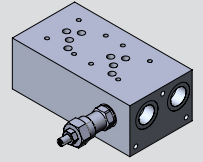


CETOP5 - NG10

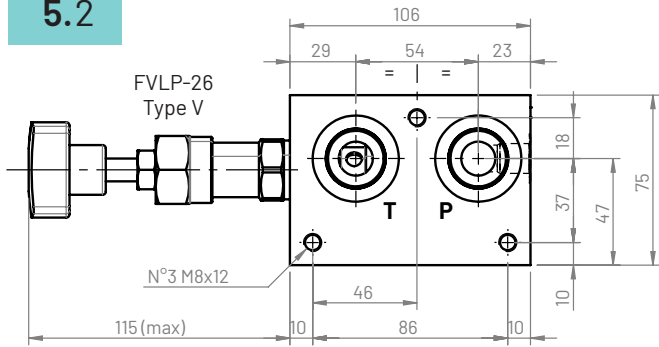
Type  
Model

510  
CMB510\*-P\*-6B-\*\*\*

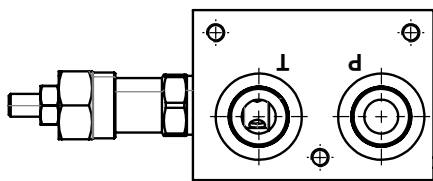
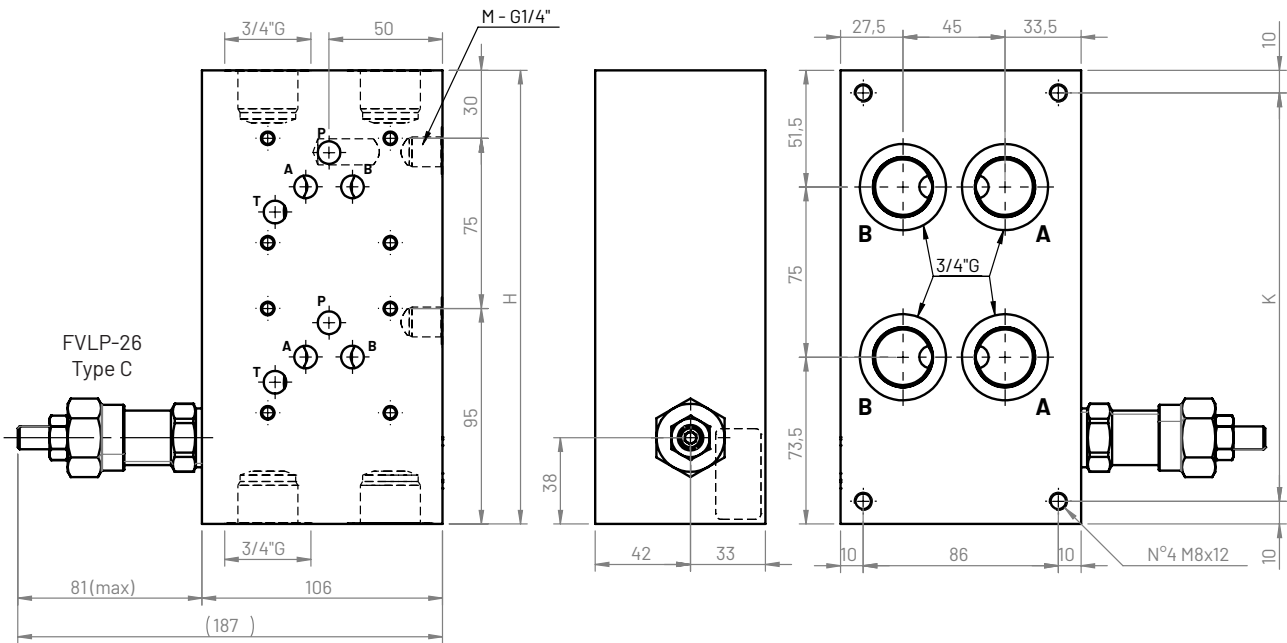
CETOP5 Monoblock with 3/4" G P-T on both short sides and A-B ports on back side. **Parallel version**, with/without relief valve (FVLP-26)



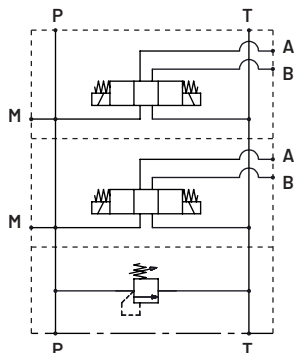
5.2



Positions	H (mm)	K (mm)	Aluminum (kg)	Cast iron (kg)
1	125	105	2,7	6,4
2 (*)	200	180	4,2	10,2
3 (*)	275	255	5,6	13,9
4 (*)	350	330	7,1	17,6
5 (*)	425	405	8,5	21,4
6	500	10	25,2	



Hydraulic circuit



Ordering code **CMB 5 10 \* - P \* - 6 B - \* \* \***

- Monoblock: **CMB**
- Flange CETOP: **5**
- Configuration type: **10**
- Material:
  - G** (Phosphated cast iron GJL250)
  - A** (aluminum EN AW-6026 LF without anodization)
  - B** (aluminum EN AW-6026 LF with neutral anodization)
  - Other materials on demand**
- Connection: **P** (parallel)
- Positions: **1, 2, 3, ..., 6**
- Ports size:
  - 6** (P-T: 3/4G - A-B: 3/4G)
- Ports position: **B** (back side)
- Cavity FVLP-26:
  - V** (included) technical info → p. 7.2
  - T** (with cavity plugged)
  - L** (with cavity open)
  - N** (without cavity) (\*) only for 2-3-4-5 positions
- Spring set (omit with L-T-N present):
  - W**: 5-50 bar    **X**: 30-100 bar
  - J**: 80-250 bar    **K**: 140-350 bar
- Adjustment (omit with L-T-N present):
  - C** (with screw)
  - V** (with hand knob)

