

CETOP5 Monoblock with 1"G T port on both short sides, 3/4"G P port on both short sides and A-B ports on long sides. **Parallel version** with relief valve (FVLP-33)

Type

Model

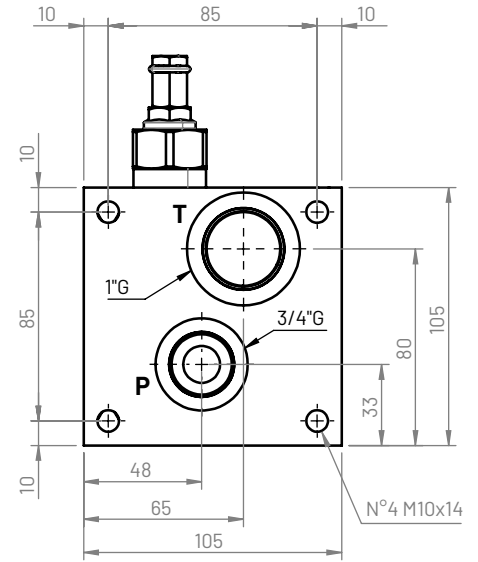
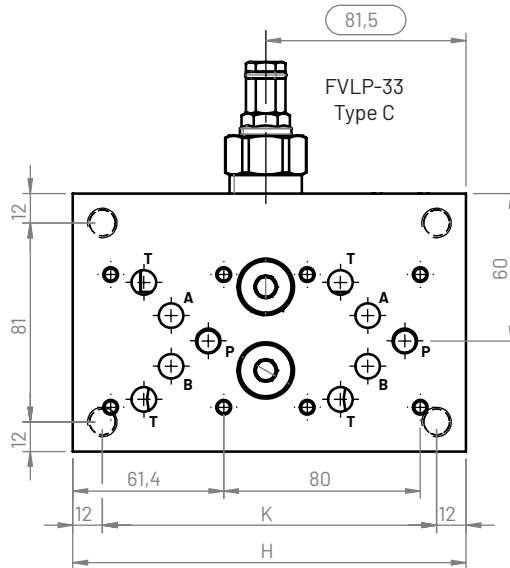
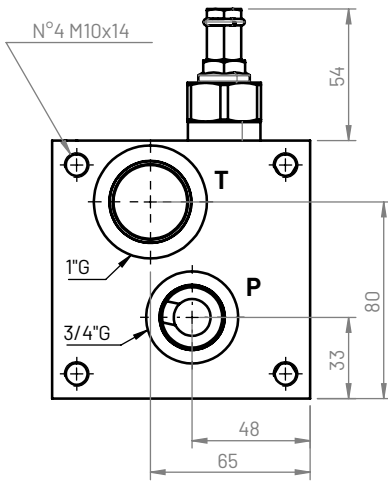
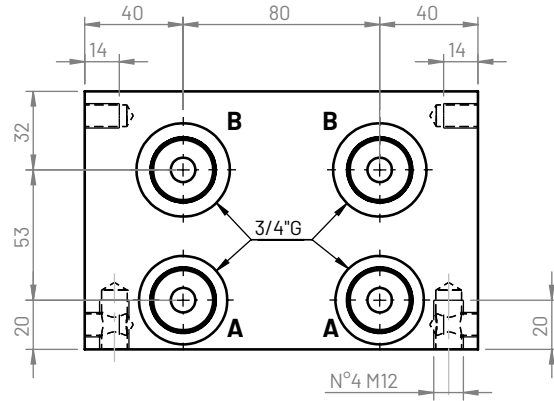
CETOP5 - NG10

542

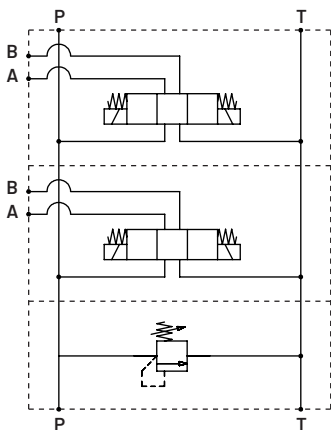
CMB542*-P*-7C-***C

MONOBLOCK

5.22



Hydraulic circuit



Ordering code **CMB 5 42 * - P * - 7 C - * * ***

Monoblock: **CMB**

Flange CETOP: **5**

Configuration type: **42**

Material:

G (Phosphated cast iron GJL250)

A (aluminum EN AW-6026 LF without anodization)

B (aluminum EN AW-6026 LF with neutral anodization)

Other materials on demand

Connection: **P** (parallel)

Positions: **2, 3, ..., 6**

Ports size:

7 (P-A-B: 3/4G - T: 1G)

Ports position: **C** (lateral side)

Cavity FVLP-33:

V (included) info tecniche → p.7.3

L (with cavity open)

T (with cavity plugged)

Spring set (omit with L-T present):

H: 20-105 bar

R: 70-420 bar

O: 35-210 bar

Adjustment (omit with L-T present):

C (with screw)

Positions	H (mm)	K (mm)	Aluminum (kg)	Cast iron (kg)
2	160	136	4,4	10,8
3	240	216	6,5	16,3
4	320	296	8,6	21,8
5	400	376	10,7	27,3
6	480	456	12,8	32,8