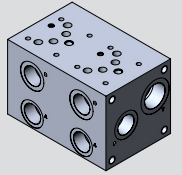


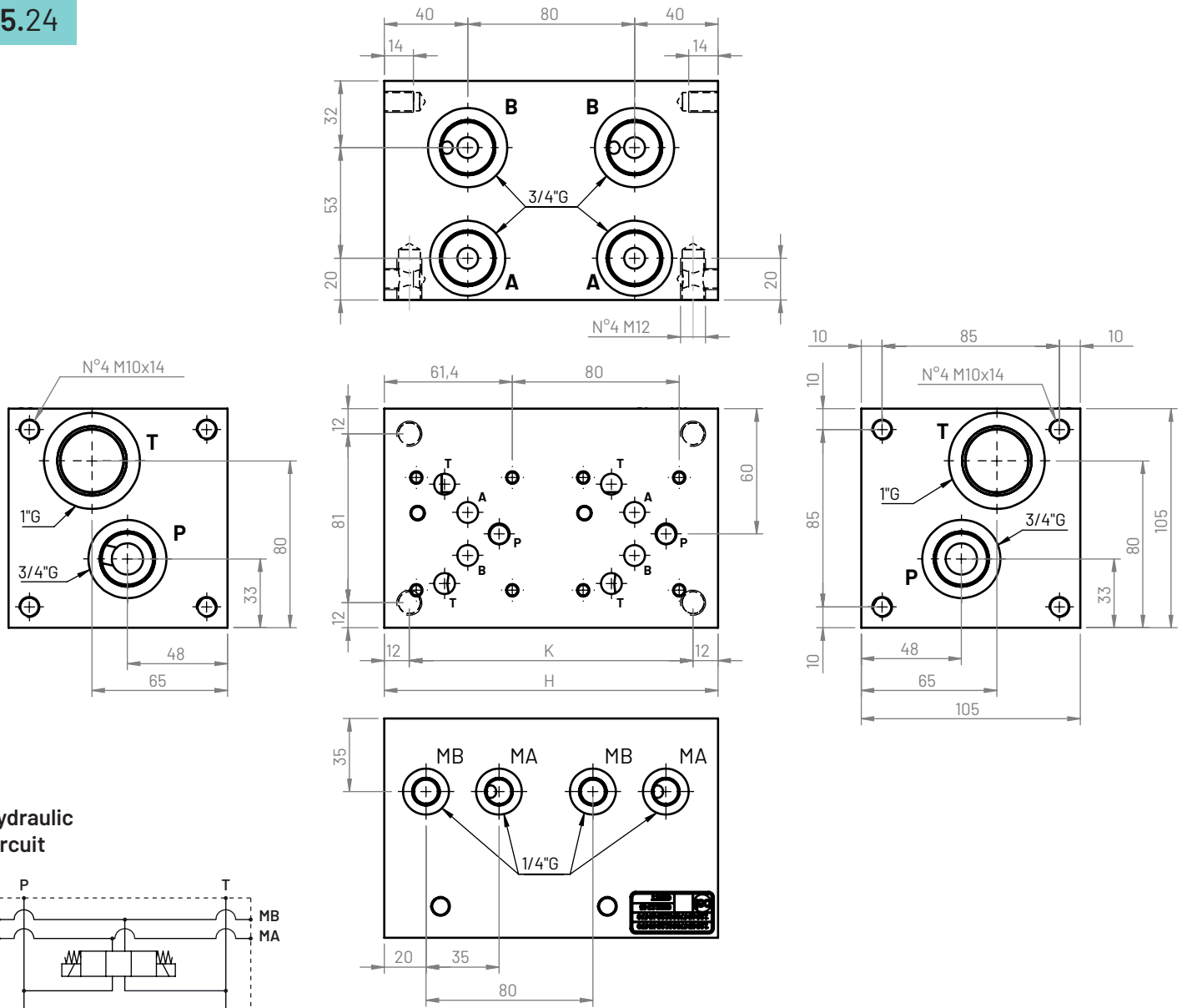
Type
Model

544
CMB544*-P*-7C

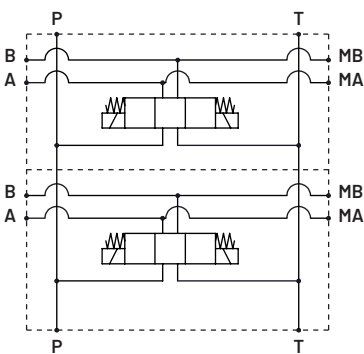
CETOP5 Monoblock with 1"G T port on both short sides, 3/4"G P port on both short sides and A-B ports on long sides. 1/4"G pressure gauge connections on A-B. **Parallel version**, without relief valve



5.24



Hydraulic circuit



Positions	H (mm)	K (mm)	Aluminum (kg)	Cast iron (kg)
1	80	56	2	5
2	160	136	4,1	10,5
3	240	216	6,2	16
4	320	296	8,3	21,5
5	400	376	10,4	27
6	480	456	12,5	32,5

Ordering code

CMB 5 44 * - P * - 7 C

Single subplate: **CMB**

Flange CETOP: **5**

Configuration type: **44**

Material:

G (Phosphated cast iron GJL250)

A (aluminum EN AW-6026 LF without anodization)

B (aluminum EN AW-6026 LF with neutral anodization)

Other materials on demand

Connection: **P** (parallel)

Positions: **1, 2, 3, ..., 6**

Ports position:
C (lateral side)

Ports size:
7 (P-A-B: 3/4G - T: 1G)