

CETOP5 - NG10

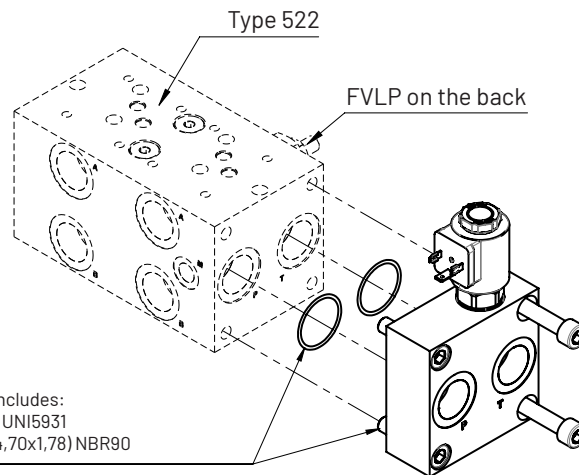
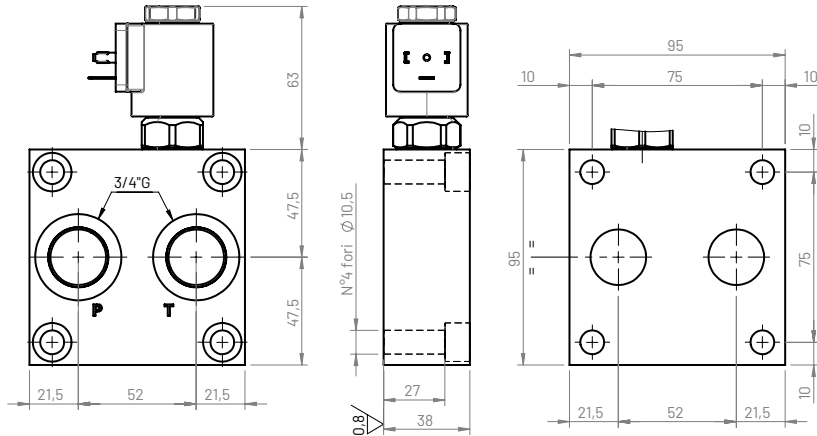
CETOP5 Left side accessory block with solenoid valve (FVEC-10) for CETOP5 modular systems

Type

550

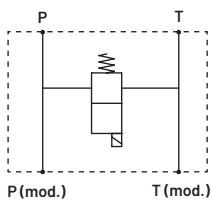
Model

CBA550*-***-S



The accessory block includes:
 - no. 4 screws M10x40 UNI5931
 - no. 2 O-rings 2137 (34,70x1,78) NBR90

Hydraulic circuit



Weight

Aluminum (kg)	Cast iron (kg)
1,2	2,4

Ordering code

CBA 5 50 * - * * * - S

Single subplate: **CBA**

Flange CETOP: **5**

Configuration type: **50**

Material:

G (Phosphated cast iron G.JL250)

A (aluminum EN AW-6026 LF without anodization)

B (aluminum EN AW-6026 LF with neutral anodization)

Other materials on demand

FVEC-10 present:

V (included) technical info → p. 8.2

L (with cavity open)

T (with cavity plugged)

FVEC-10 type (omit with L-T present)

A (normally open)

C (normally closed)

Coil type (omit with L-T present):

A (no coil)

B (with coil 12Vdc)

C (with coil 24Vdc)

Position: **S** (left side)