

**SOLENOID VALVE**

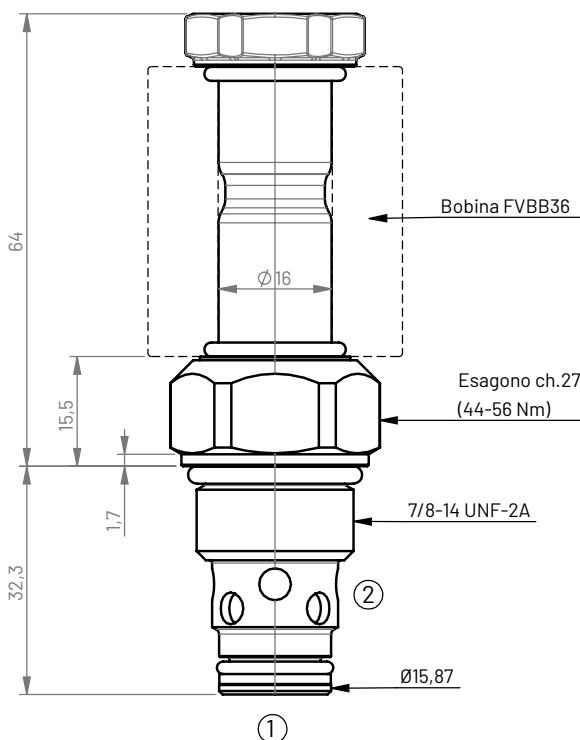
Type

**FVEC-10**

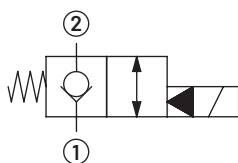
Bidirectional solenoid valve, 2 way, normally open or closed (VEI-16-10A-NC/NA Bosch Rexroth)



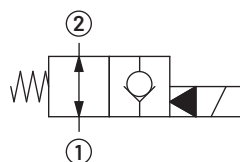
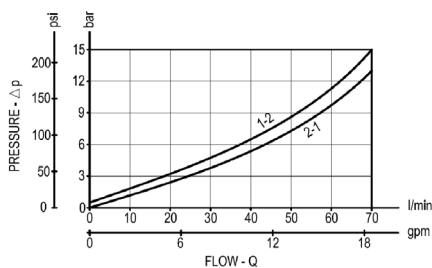
**8.2**



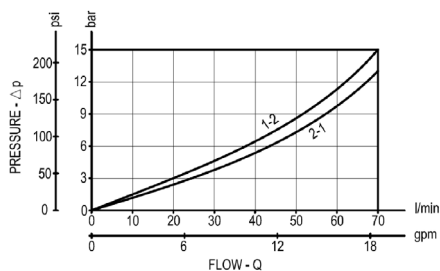
**Hydraulic circuits**



**NA: normally open**



**NC: normally closed**



**Technical characteristics**

**In general**

Weight	0,25 kg
Ambient operating temperature	-30 / +90 °C

**Hydraulics**

Max pressure	350 bar
Flow rate	70 l/min
Internal leakage	5 drops/min
Switching time	Apertura <50 ms Chiusura <100 ms
Working fluid temperature	-20 / +80 °C
Fluid	Mineral or synthetic base with lubricating properties, viscosity between 20 and 380 cSt
Torque	44÷56 Nm
Degree of fluid contamination	Max. nominal value 10 µm (NAS 8) ISO 4406 19/17/14
Cavity	C10 (see p.20.3)
Cavity plug	FVTA10000000 (vedi p.10.2)

**Electrical**

Type of current	Direct current
Coil type	FVBB-36 (vedi p.9.1)
Power	20W